



Egg Washers  
Cone Lines  
Modular Belt  
Conveyors  
Fillers  
Roller Conveyors  
Overhead Conveyors  
Flat Belt  
Conveyors  
Screw Conveyors  
Wire Belt  
Conveyors

**Components for the  
Processing Industry**

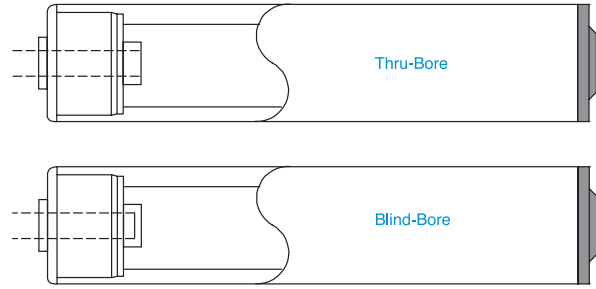


[www.pobcoplastics.com](http://www.pobcoplastics.com)

# POBCO Conveyor Rollers

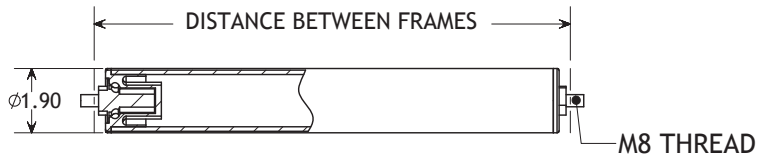
POBCO's "RPMN" series rollers are constructed with 1.90" diameter, schedule 40 White PVC pipe, Molded Nylon Roll End Bearings, and bored to support a 1/2" diameter shaft, pin or stub shaft. These are an excellent, low cost, general purpose rollers, often used on sorting equipment. Overall length of roller is made .25" shorter than the between frame dimension.

| RPMN SERIES LIGHT DUTY |                       |                        |
|------------------------|-----------------------|------------------------|
| BETWEEN FRAME          | THRU-BORE PART NUMBER | BLIND-BORE PART NUMBER |
| 3.50"                  | RPMNL3.25             | RPMNL3.25BB            |
| 4.75"                  | RPMNL4.50             | RPMNL4.50BB            |
| 7.75"                  | RPMNL7.50             | RPMNL7.50BB            |
| 10.25"                 | RPMNL10.00            | RPMNL10.00BB           |
| 13.00"                 | RPMNL12.75            | RPMNL12.75BB           |
| 16.00"                 | RPMNL15.75            | RPMNL15.75BB           |
| 18.00"                 | RPMNL17.75            | RPMNL17.75BB           |
| 22.00"                 | RPMNL21.75            | RPMNL21.75BB           |



POBCO "RPBBD" series rollers are constructed with 1.90" diameter, schedule 40 white PVC pipe, and self-sealing molded acetal blind bore spring-loaded ball bearings. These are sealed to avoid moisture or bacteria build-up inside rollers. Easy to install. Includes hex nuts.

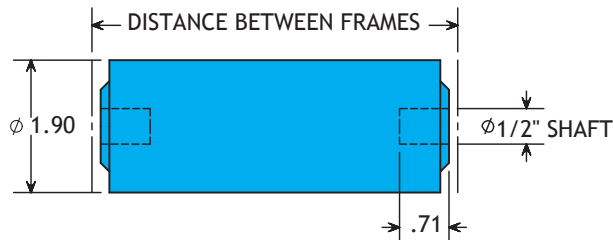
| RPBBD SERIES  |             |
|---------------|-------------|
| BETWEEN FRAME | PART NUMBER |
| 10.25"        | RPBBD10.00  |
| 13.00"        | RPBBD12.75  |
| 16.00"        | RPBBD15.75  |
| 18.00"        | RPBBD17.75  |
| 22.00"        | RPBBD21.75  |
| 24.00"        | RPBBD23.75  |



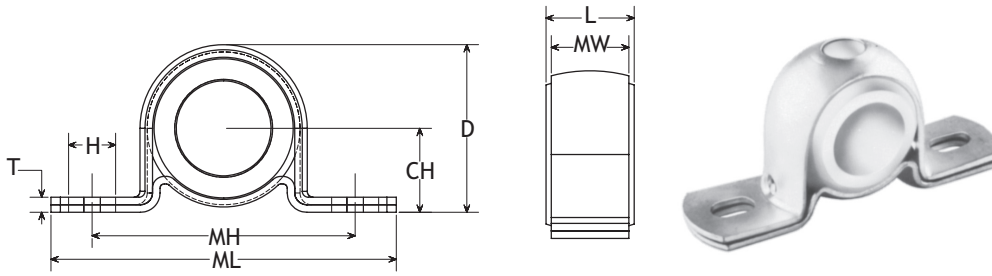
| PART NO.        | TUBE SIZE      |
|-----------------|----------------|
| BBD 24P4007SLSS | 1-1/2" Sch. 40 |
| BBD 32P4007SLSS | 2" Sch. 40     |

POBCO "RP Solid" series are Blue in color, FDA compliant, solid plastic, 1.90" diameter acetal rollers. Ends have 1/2" diameter x .71 deep blind bores. This series is the most sanitary option. Supported with "stub shaft" # BP08SSBall.

| RP SOLID SERIES |              |
|-----------------|--------------|
| BETWEEN FRAME   | PART NUMBER  |
| 10.25"          | RPBLUEA10.00 |
| 13.00"          | RPBLUEA12.75 |
| 16.00"          | RPBLUEA15.75 |
| 18.00"          | RPBLUEA17.75 |
| 22.00"          | RPBLUEA21.75 |



# POBCO Trimount® Pillow Blocks

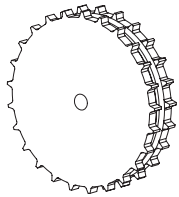
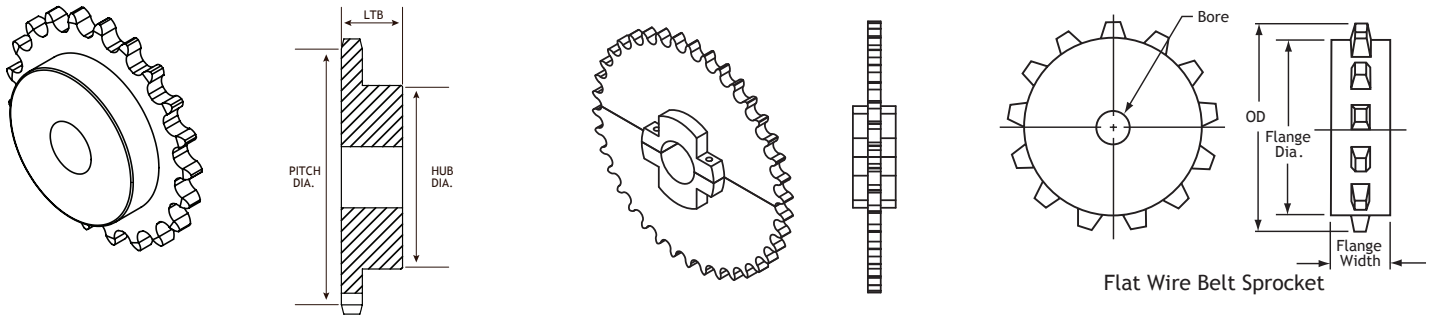


- Commonly supplied with 304 Stainless housings and UHMW inserts
- Typical application use—Egg Washers

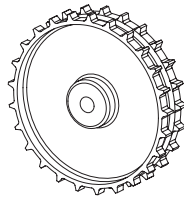
| PART #     | SHAFT  | INSERT     | CH      | MH      | D       | ML     | MW     | L     |
|------------|--------|------------|---------|---------|---------|--------|--------|-------|
| BEU12SSTPS | 3/4    | UHMW Split | 15/16   | 2-15/16 | 1-13/16 | 4-1/32 | 1-1/8  | 1-1/4 |
| BBU12SS    | 3/4    | UHMW       | 29/32   | 2-7/8   | 1-3/4   | 3-5/16 | 1-1/8  | 1-1/4 |
| BCU14SSTPS | 7/8    | UHMW Split | 1-1/16  | 3-1/4   | 2-1/16  | 4-9/16 | 1-5/16 | 1-1/2 |
| BFU14SSTPS | 7/8    | UHMW Split | 1-3/32  | 3-5/16  | 2-1/8   | 4-5/8  | 1-5/16 | 1-1/2 |
| BKU16SS    | 1"     | UHMW       | 1-11/32 | 3-7/8   | 2-11/16 | 5-3/8  | 1-7/16 | 1-3/4 |
| BKU24SS    | 1-1/2" | UHMW       | 1-11/32 | 3-7/8   | 2-11/16 | 5-3/8  | 1-7/16 | 1-3/4 |

# POBCO Sprockets

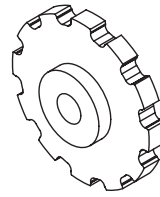
For Roller Chain, Wire Belt, Table Top Chain and Custom Options



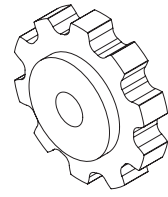
U820



P820

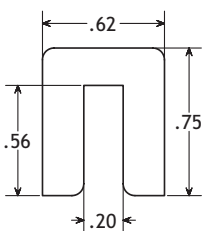


U880



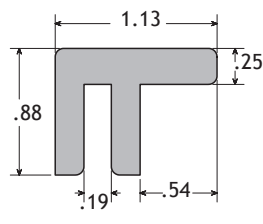
U882

# POBCO Wear Strips & Guide Rails



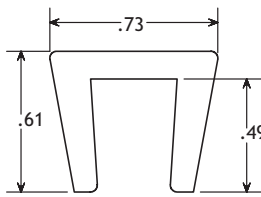
#CTU1210

Material: UHMW



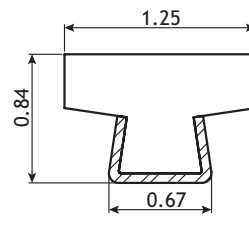
#CTP1518LEG

Material: Plus



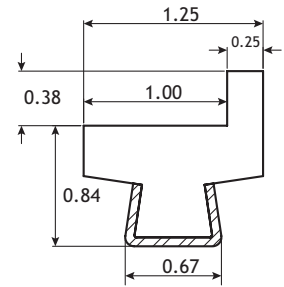
#BSU060810

Material: UHMW  
Fits 3/8" Rail



GRA1.25TTOP

Material: UHMW/SS



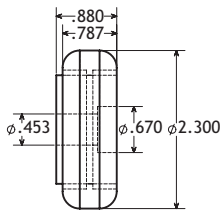
GRA-B/C

Material: UHMW/SS

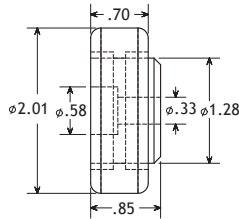
# POBCO Delrin Over-Head Conveyor Wheels

- With 420 Stainless Steel Balls
- No Lubrication Required
- Food Approved
- Corrosion Resistant
- Low Minimums
- Low Friction

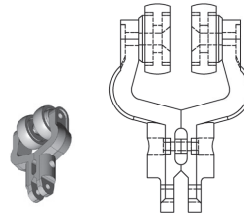
These wheels & yokes are used by major OEM systems.



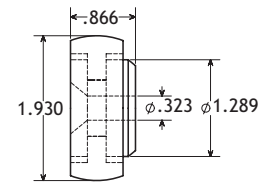
OVDDR073714SS  
(X 348 Systems)



OVDDR053214SS  
(STORK)



OVDDR1.90YOKE  
(MEYN)



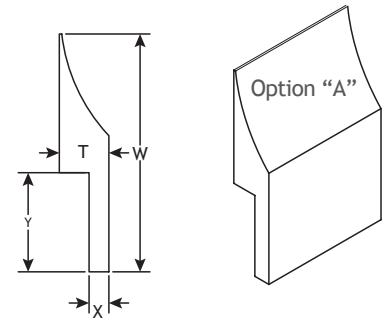
OVDDR053114SS  
(MEYN)

# POBCO Plastic Scraper Blades

POBCO Scraper Blades made from a variety of materials such as *ACETAL*, *UHMW*, *HIGH TEMP ULTRA-D*, *POBLON*, and *URETHANE*.

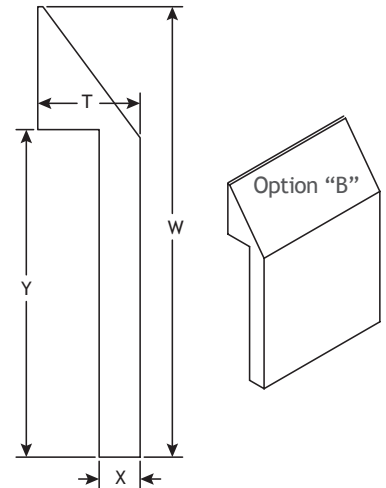
## Option A

| PART #         | MATERIAL                     | T    | W  | Y      | X    | LENGTH        |
|----------------|------------------------------|------|----|--------|------|---------------|
| SCRD0848A      | Acetal                       | 1/2" | 3" | 1-1/4" | 1/4" | 4, 8 or 10 ft |
| SCRD1048A      | Acetal                       | 5/8" | 3" | 1-1/4" | 1/4" | 4, 8 or 10 ft |
| SCRUH0848A     | High Temp Ultra-D            | 1/2" | 3" | 1-1/4" | 1/4" | 5 or 10 ft    |
| SCRUH1048A     | High Temp Ultra-D            | 5/8" | 3" | 1-1/4" | 1/4" | 5 or 10 ft    |
| SCRDM0848A     | POBLON                       | 1/2" | 3" | 1-1/4" | 1/4" | 4 ft          |
| SCRDM1048A     | POBLON                       | 5/8" | 3" | 1-1/4" | 1/4" | 4 ft          |
| SCRD0848ABBLUE | Acetal Blue                  | 1/2" | 3" | 1-1/4" | 1/4" | 4, 8 or 10 ft |
| SCRAMD0848A    | Metal Detectable Acetal Blue | 1/2" | 3" | 1-1/4" | 1/4" | 4 ft          |
| SCRD1048ABBLUE | Acetal Blue                  | 5/8" | 3" | 1-1/4" | 1/4" | 4, 8 or 10 ft |
| SCRAMD1048A    | Metal Detectable Acetal Blue | 5/8" | 3" | 1-1/4" | 1/4" | 4 ft          |



## Option B

| PART #        | MATERIAL                     | T    | W      | Y  | X    | LENGTH        |
|---------------|------------------------------|------|--------|----|------|---------------|
| SCRD0844B     | Acetal                       | 1/2" | 2-3/4" | 2" | 1/4" | 4, 8 or 10 ft |
| SCRD1044B     | Acetal                       | 5/8" | 2-3/4" | 2" | 1/4" | 4, 8 or 10 ft |
| SCRUH0844B    | High Temp Ultra-D            | 1/2" | 2-3/4" | 2" | 1/4" | 5 or 10 ft    |
| SCRUH1044B    | High Temp Ultra-D            | 5/8" | 2-3/4" | 2" | 1/4" | 5 or 10 ft    |
| SCRDM0844B    | POBLON                       | 1/2" | 2-3/4" | 2" | 1/4" | 4 ft          |
| SCRDM1044B    | POBLON                       | 5/8" | 2-3/4" | 2" | 1/4" | 4 ft          |
| SCRD0844BBLUE | Acetal Blue                  | 1/2" | 2-3/4" | 2" | 1/4" | 4, 8 or 10 ft |
| SCRAMD0844B   | Metal Detectable Acetal Blue | 1/2" | 2-3/4" | 2" | 1/4" | 4 ft          |
| SCRD1044BBLUE | Acetal Blue                  | 5/8" | 2-3/4" | 2" | 1/4" | 4, 8 or 10 ft |
| SCRAMD1044B   | Metal Detectable Acetal Blue | 5/8" | 2-3/4" | 2" | 1/4" | 4 ft          |



# POBCO Materials

## POBCO POBLON

Bearing grade, Hi-Temp rated for up to 500 degrees F, proprietary blend of PTFE. POBLON is FDA/USDA compliant. Used in food & pharmaceutical applications such as ovens, fryers, proofing & curing operations. A less expensive alternative to Rulon 641.

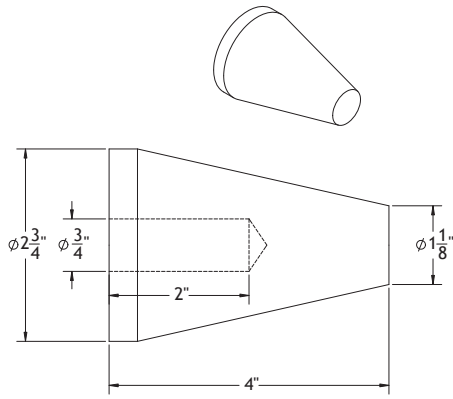
## POBCO HI-TEMP UHMW

This specialty grade of UHMW has all the same mechanical properties of UHMW with the additional benefit of being rated for up to 275 degrees F. This material is white in color and FDA compliant.

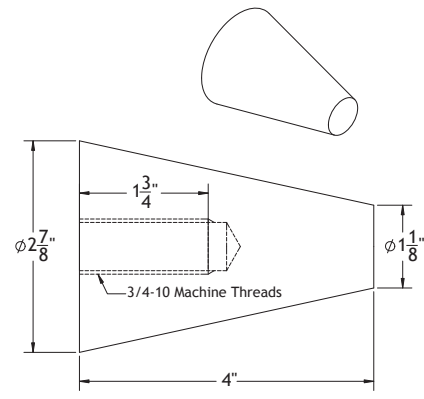
## METAL DETECTABLE OPTIONS

Please inquire on availability of Metal Detectable UHMW and Acetal grades.

# POBCO Poultry Deboner Cones



Machined UHMW  
Part #CONEUHMW2.75

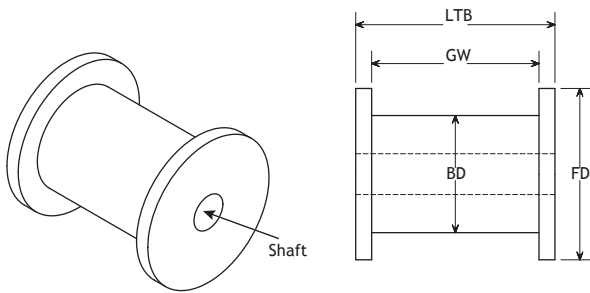


Molded Polypropylene  
Part #CONEPP2.875

# POBCO Custom Parts

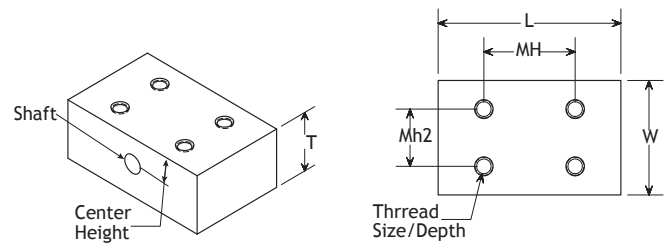
Commonly furnished in UHMW and other UHMW grades.

## Idler Wheels



|                  |  |
|------------------|--|
| Material         |  |
| Shaft Size       |  |
| Flange Dia.      |  |
| Barrel Dia.      |  |
| Groove Width     |  |
| Length Thru-Bore |  |

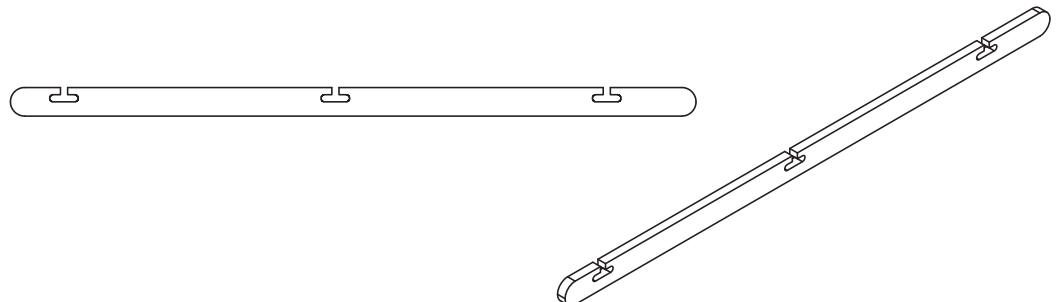
## Linear Blocks



|                   |  |
|-------------------|--|
| Material          |  |
| Shaft Size        |  |
| Length            |  |
| Width             |  |
| Thickness         |  |
| MH                |  |
| Mh2               |  |
| Center Height     |  |
| Thread Size/Depth |  |

## Custom Belt Supports

|                    |  |
|--------------------|--|
| Material           |  |
| Thickness          |  |
| Width              |  |
| Length             |  |
| Slots—Send Details |  |





POBCO, Inc.  
99 Hope Ave | Worcester, MA 01603  
508.791.6376 | 1.800.222.6376  
pobco@pobcoplastics.com | www.pobcoplastics.com

©2019 POBCO Inc.

5M 11/2019